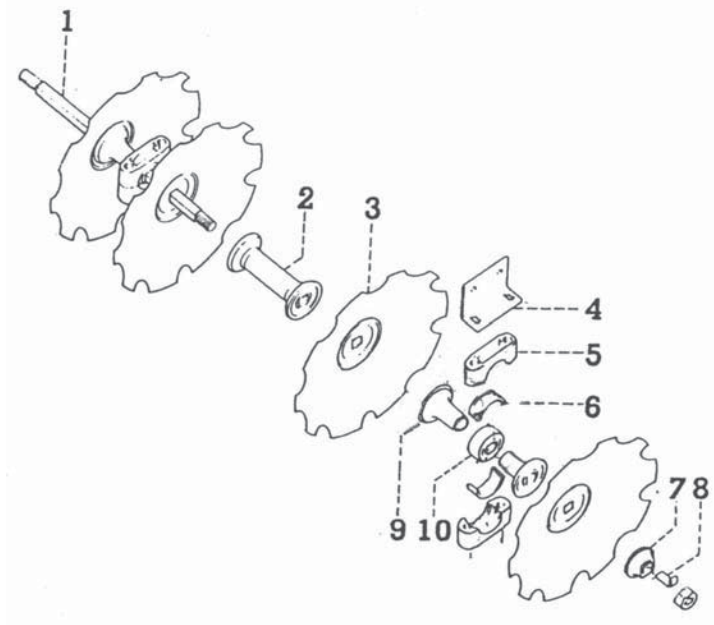


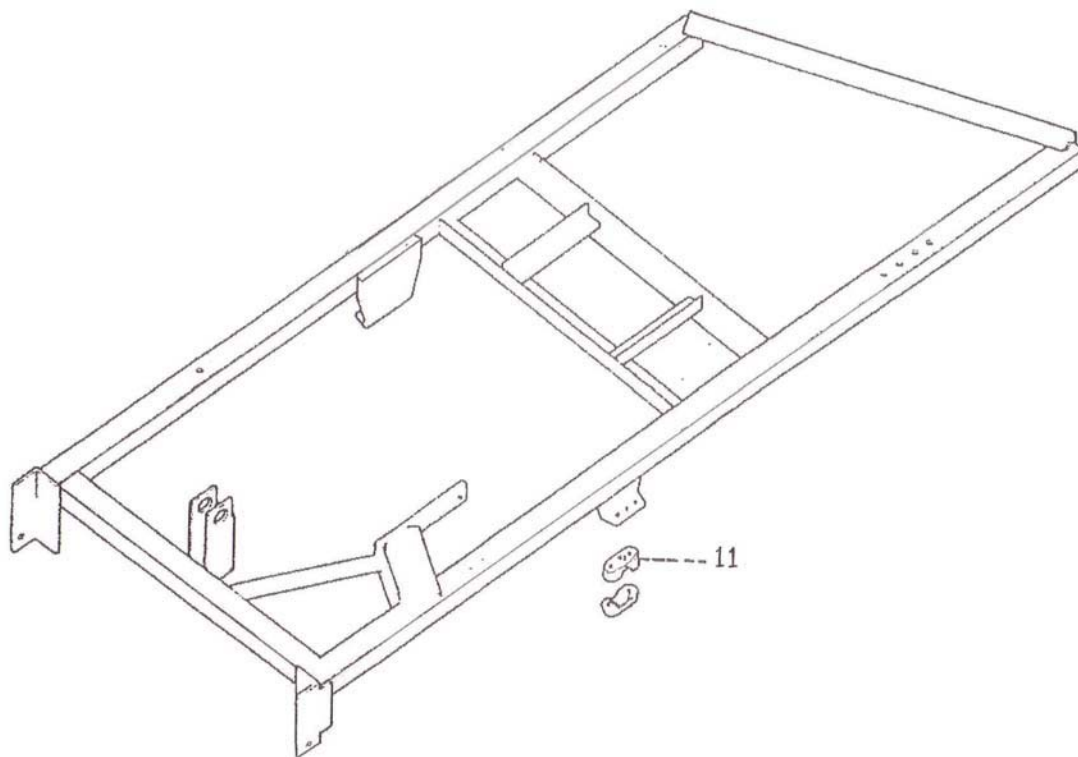
IHC 3-4 OFFSET COMPONENTS



PART NUMBER	DESCRIPTION	CASTING PART No.	DIAGRAM No.
GW805638R4	Gang Bolt - 7'6" long (incl nyloc nuts).		1
GW805719R4	Gang Bolt - 9'0" long (incl nyloc nuts).		1
<i>A 20 plate unit uses: 2 x GW805638R4 - A 24 plate unit uses: 2 x GW805719R4</i>			
GWE175721	Spacing Spool	GWT 10	2
GW804981R2	Bearing Spacer	GWT 13	9
GW804986R2	Bearing Clamp	GWT 11	5
GW805617R2	Arbor Bolt washer	GWT 12	7
GW806506R91	Bearing		10
GW804985R1-4	Bearing Rubber Strip - Pack of 2		6

*All parts shown on this brochure are non-genuine.

IHC 3-4 OFFSET COMPONENTS



PART NUMBER	DESCRIPTION	CASTING PART No.	DIAGRAM No.
GW806484R1	Rockshaft Casting - IHC3-4 (includes grease nipple)	GWT 14	11

*All parts shown on this brochure are non-genuine.

For further information, contact:



TOOWOOMBA
 Cnr Buckland and Yaldwyn Streets
 Toowoomba Queensland 4350
Phone: (07) 4636 9150
Fax: (07) 4636 9170

Email: info@gwtillage.com.au Web: www.gwtillage.com.au

BENDIGO
 Furness Street
 Kangaroo Flat Victoria 3555
Toll Free - Phone: 1800 087 871
Toll Free - Fax: 1800 087 971

